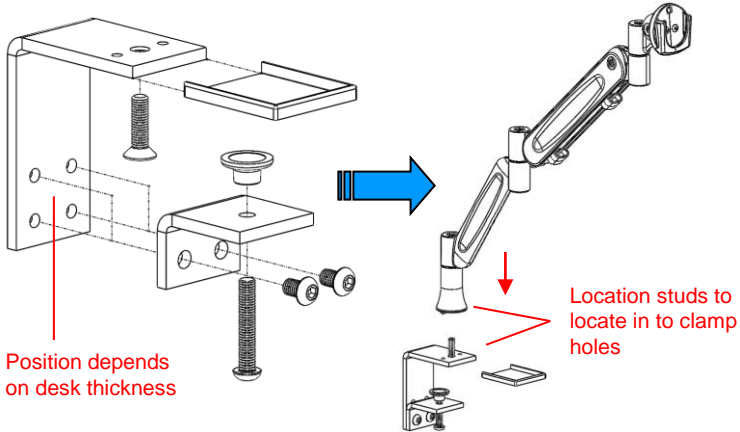
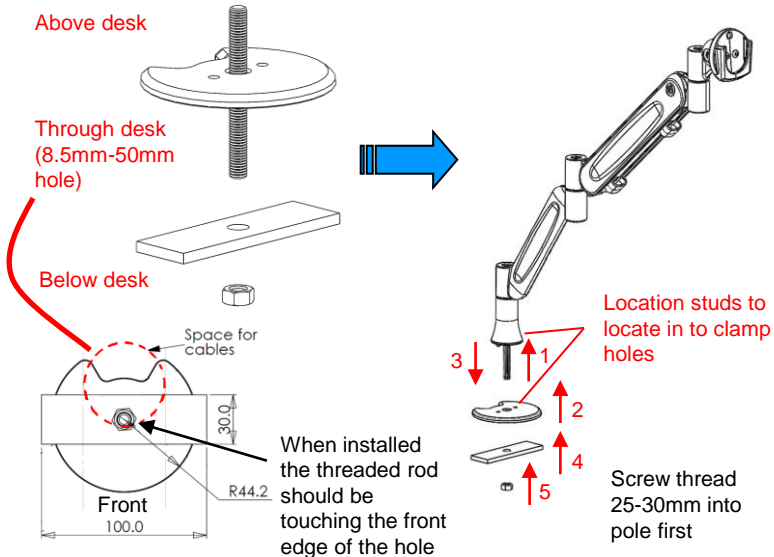


1. Clamps

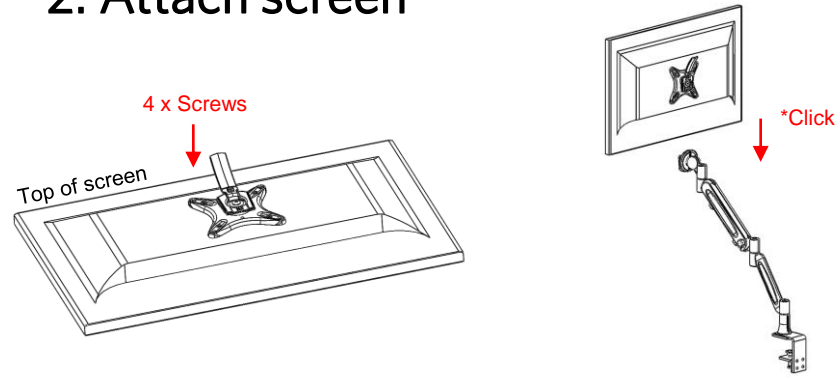
Around desk clamp



Through desk clamp



2. Attach screen



3. Adjust screen

