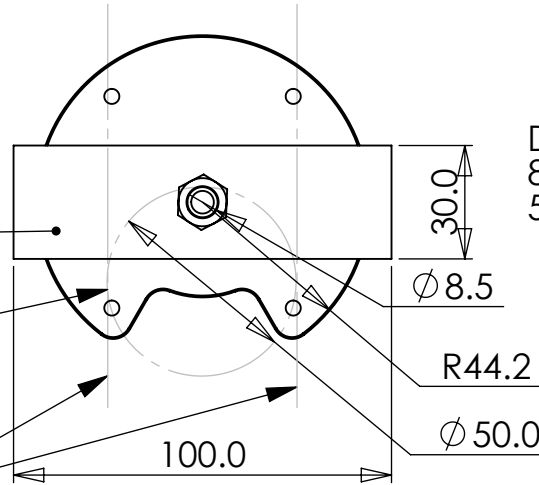


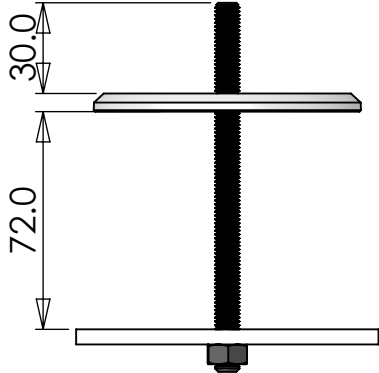
Do NOT install so desk hole is offset sideways

Space for cables

Installation note:
Must be installed with desk hole between these lines.



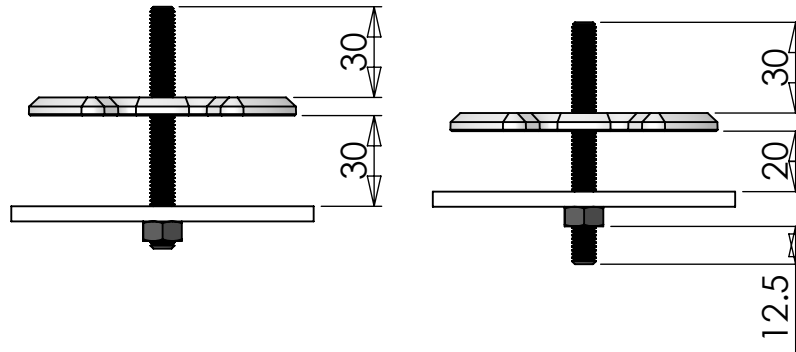
Desk hole size
8.5mm Minimum
50mm Maximum



PCPG2-SW0-00 (Special)

Max desk thickness = 72mm

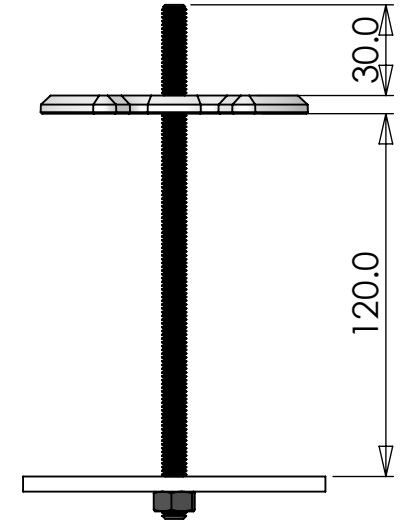
Must be screwed all the way into the pole. (30mm)



PCPG2-SW0-01 (Standard)

Max desk thickness = 30mm

Must be screwed all the way into the pole. (30mm)



PCPG2-SW0-02 (Special)

Max desk thickness = 120mm

Must be screwed all the way into the pole. (30mm)

PROPRIETARY AND CONFIDENTIAL
THE INFORMATION CONTAINED IN THIS DRAWING IS THE SOLE PROPERTY OF MODTEC. ANY REPRODUCTION IN PART OR AS A WHOLE WITHOUT THE WRITTEN PERMISSION OF MODTEC IS PROHIBITED.

TOLERANCES
ALL TOLERANCES UNLESS OTHERWISE SPECIFIED:
X.XX ± 0.05
X.X ± 0.1
X ± 0.5

REVISIONS:			
REV	DATE	DRAWN	REASON
0	09/02/2012	MG	First Issue

COMMENTS:

DIMENSIONS ARE IN MM DO NOT SCALE DRAWING

	NAME	DATE
DRAWN	MG	09/02/2012
CHECKED		
APPROVED	BD	10/02/2012
MATERIAL:		
FINISH:		
WEIGHT:		

MODTEC INDUSTRIES LTD

DESCRIPTION: Integ grommet clamp

PART NUMBER: Specifications Sheet

REVISION:

SCALE: 1:2.5

SHEET 1 OF 1

FILE NAME: PCPG2-SW0 Full Specification Sheet Rev2