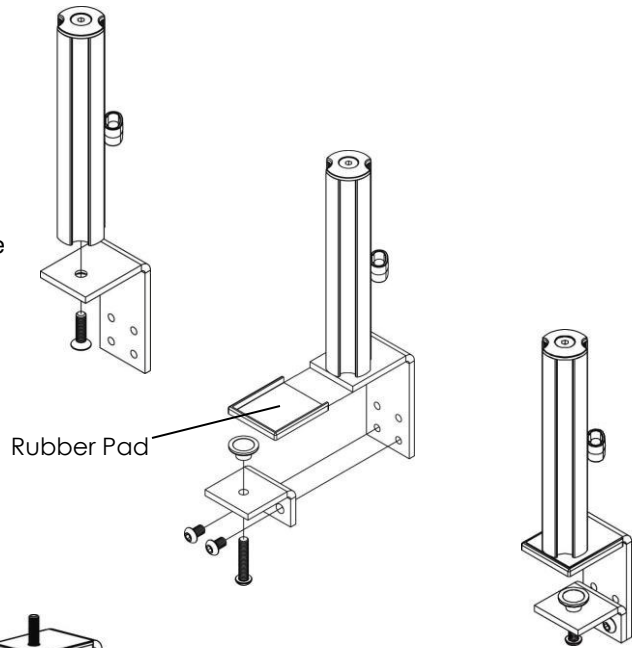


Clamp assembly - Split Desk Clamp / G clamp

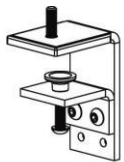
Step 1. Fit pole to clamp with 5mm allen key provided

Step 2. Place rubber pad on desk surface and attach the small L part of the clamp as per the clamp width guide

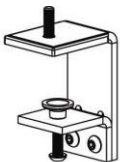
Step 3. Scre the M8 x 40 button head screw through the small L and place the clamp foot on top. Tighten until clamp is secured to desk



Clamp width guide



< - 25mm



26 - 47mm



48 - 69mm



70 - 93mm

NOTE: An Apollo2 post may also be used on a slimline clamp.