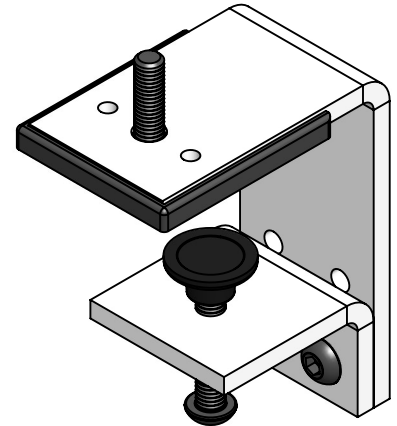
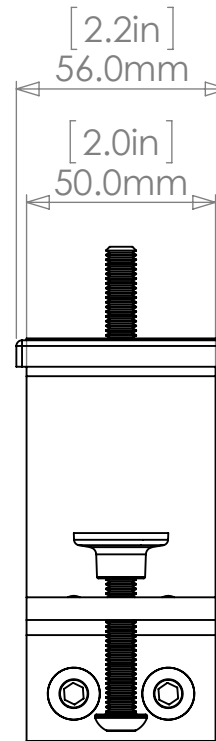


Max Limit  
(No Min Limit)



Bottom plate can be shifted to four different positions to cover the full range of desk thicknesses

Clamp designed to go around the edge of desks



**PROPRIETARY AND CONFIDENTIAL**  
THE INFORMATION CONTAINED IN THIS DRAWING IS THE SOLE PROPERTY OF MODTEC. ANY REPRODUCTION IN PART OR AS A WHOLE WITHOUT THE WRITTEN PERMISSION OF MODTEC IS PROHIBITED.

**TOLERANCES**  
ALL TOLERANCES UNLESS OTHERWISE SPECIFIED:  
X.XX ± 0.05  
X.X ± 0.1  
X ± 0.5

REVISIONS:				
REV	DATE	DRAWN	REASON	
0	28/05/2014	MG	First Issue	

**COMMENTS:**  
PCPD9-XA2-02

DIMENSIONS ARE IN MM DO NOT SCALE DRAWING

	NAME	DATE
DRAWN	MG	27/07/2021
CHECKED		
APPROVED		
MATERIAL:		
FINISH:		
WEIGHT:		

<b>MODTEC INDUSTRIES LTD</b>	
DESCRIPTION: Integ Slimline Splitclamp with Locking Holes	
PART NUMBER:	
REVISION:	
SCALE: 1:10	SHEET 6 OF 7
FILE NAME: SAM1112 Rev2 Specification Sheet - Mercury Assemblies	